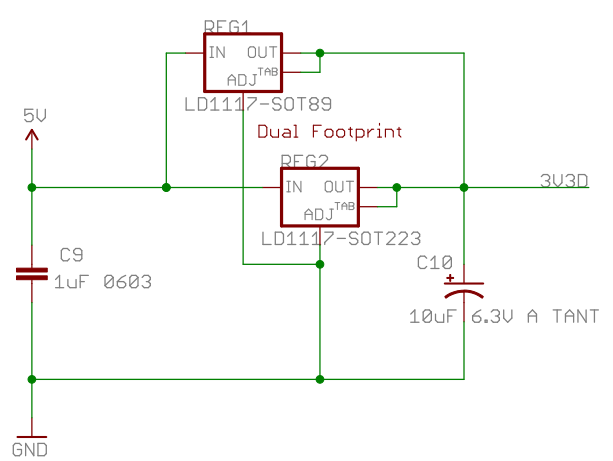
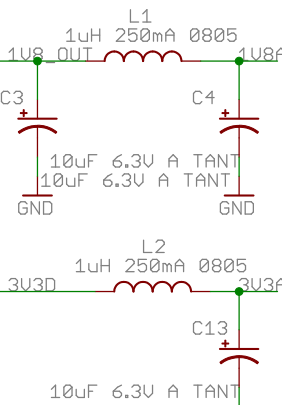


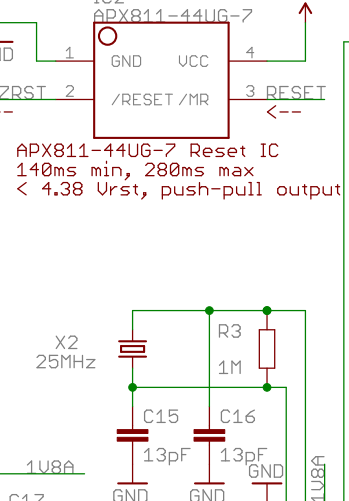
3V3 Power Supply
800mA



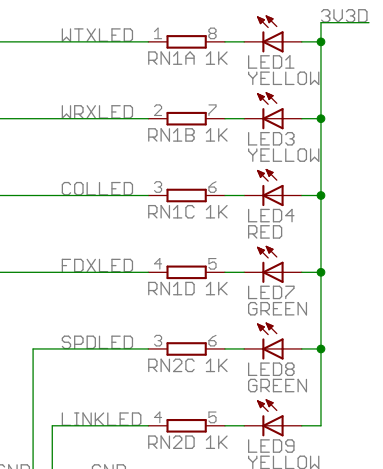
1.8V / 3.3V Decoupling



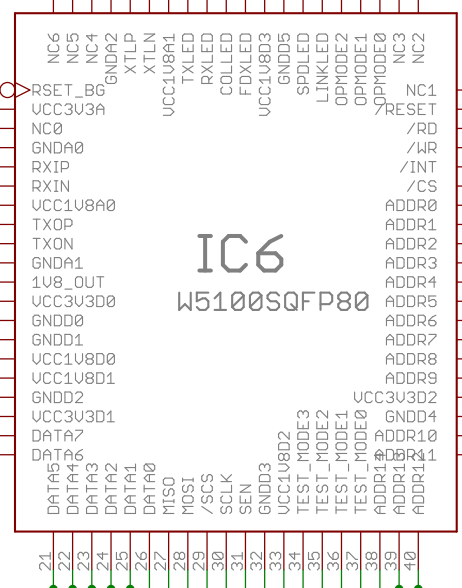
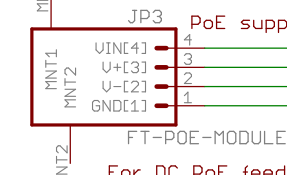
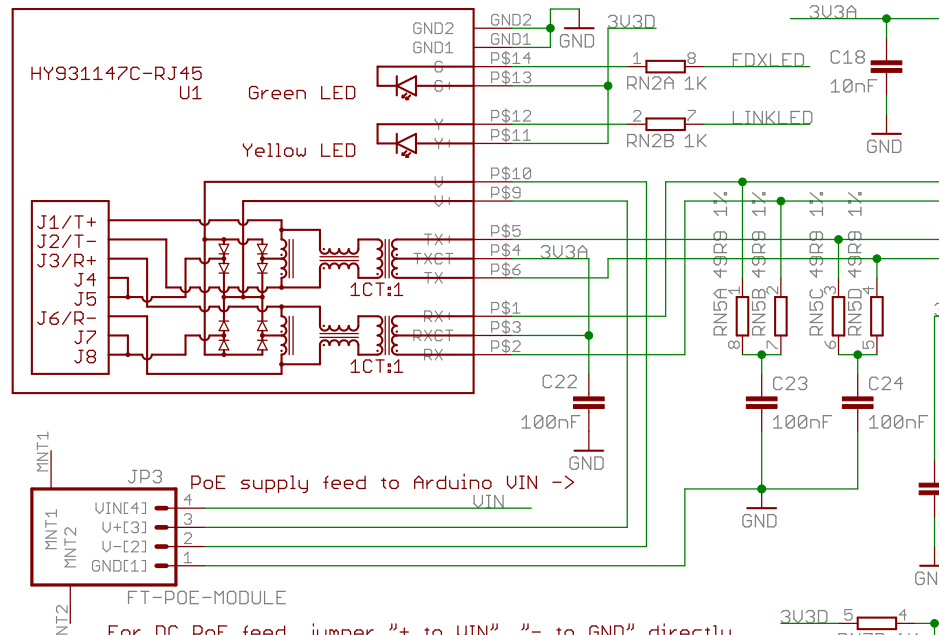
Wiznet W5100 Power-On/Reset
IC2



Status Display



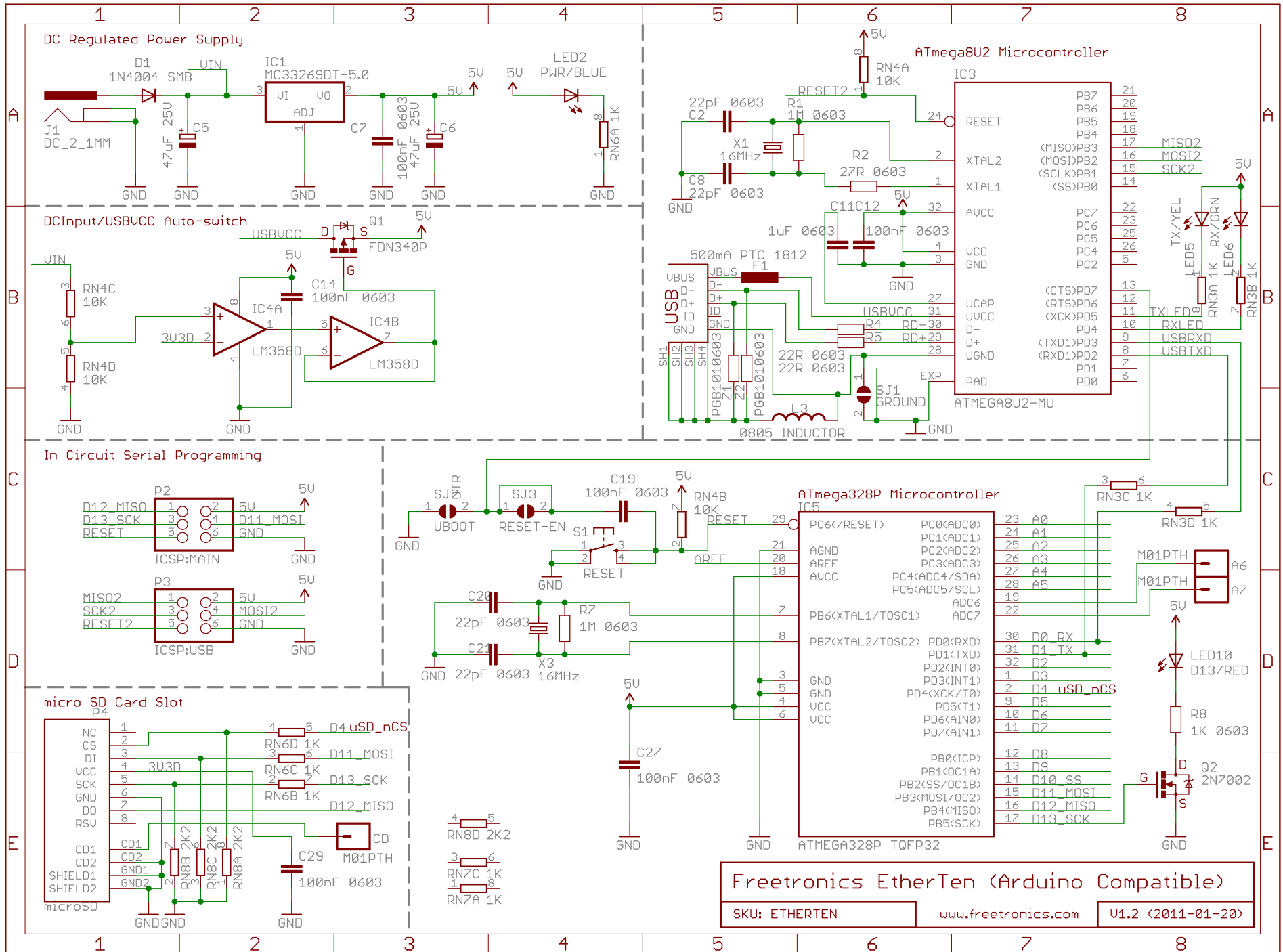
Ethernet Module with PoE



Fretronics EtherTen (Arduino Compatible)

SKU: ETHERTEN www.fretronics.com V1.2 (2011-01-20)

SPI MISO tri-state by SS/nCS
SPI D10_SS/nCS low = SEN high = SPI enabled



Freetronics EtherTen (Arduino Compatible)

SKU: ETHERTEN

www.freetronics.com

V1.2 (2011-01-20)

Prototyping Area

